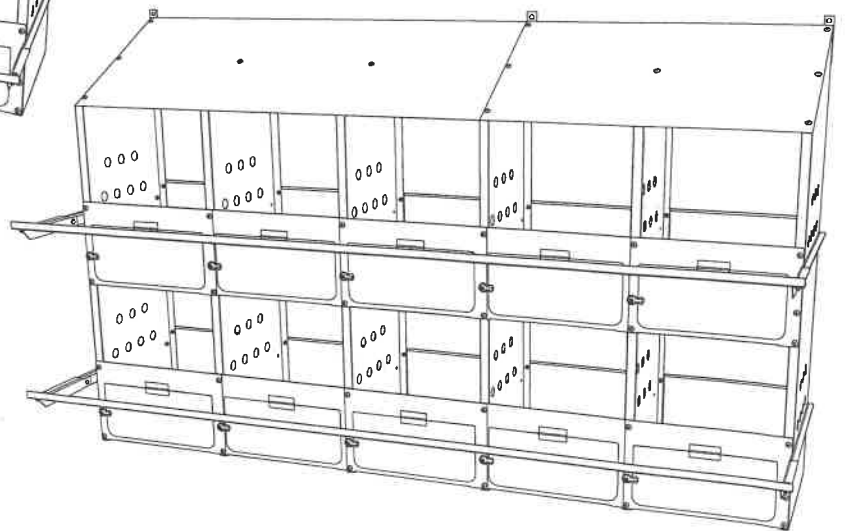
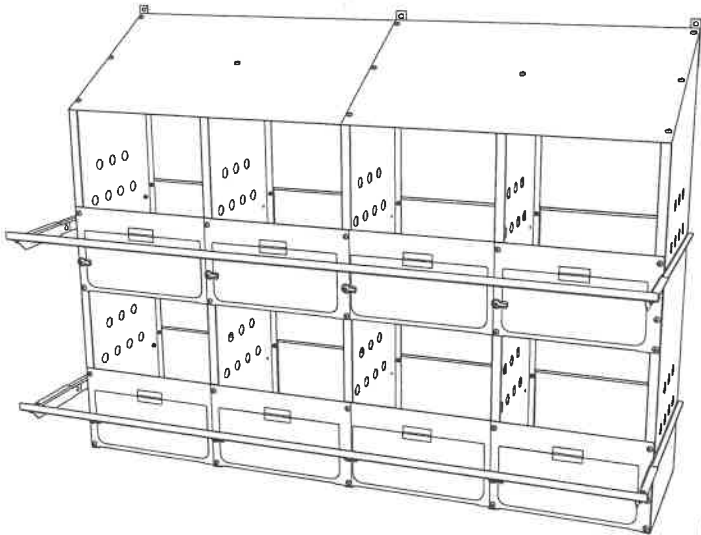
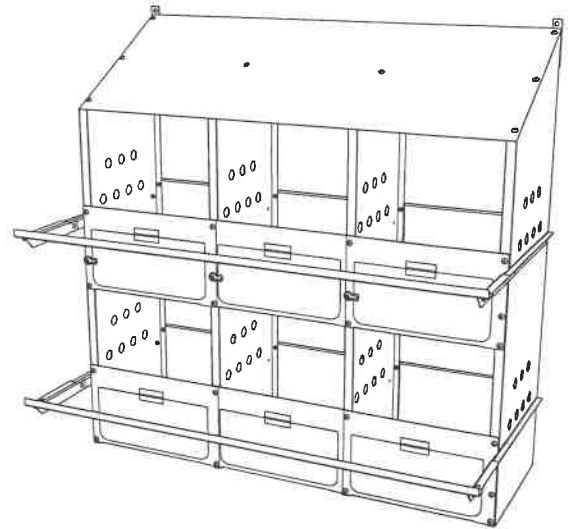
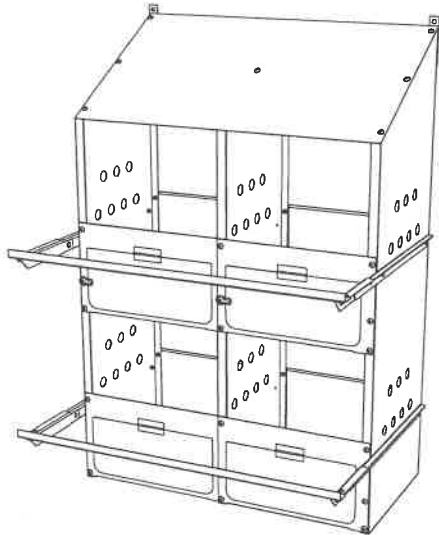


# Assembly Instructions

## Nest Box- 4/6/8/10 Holes



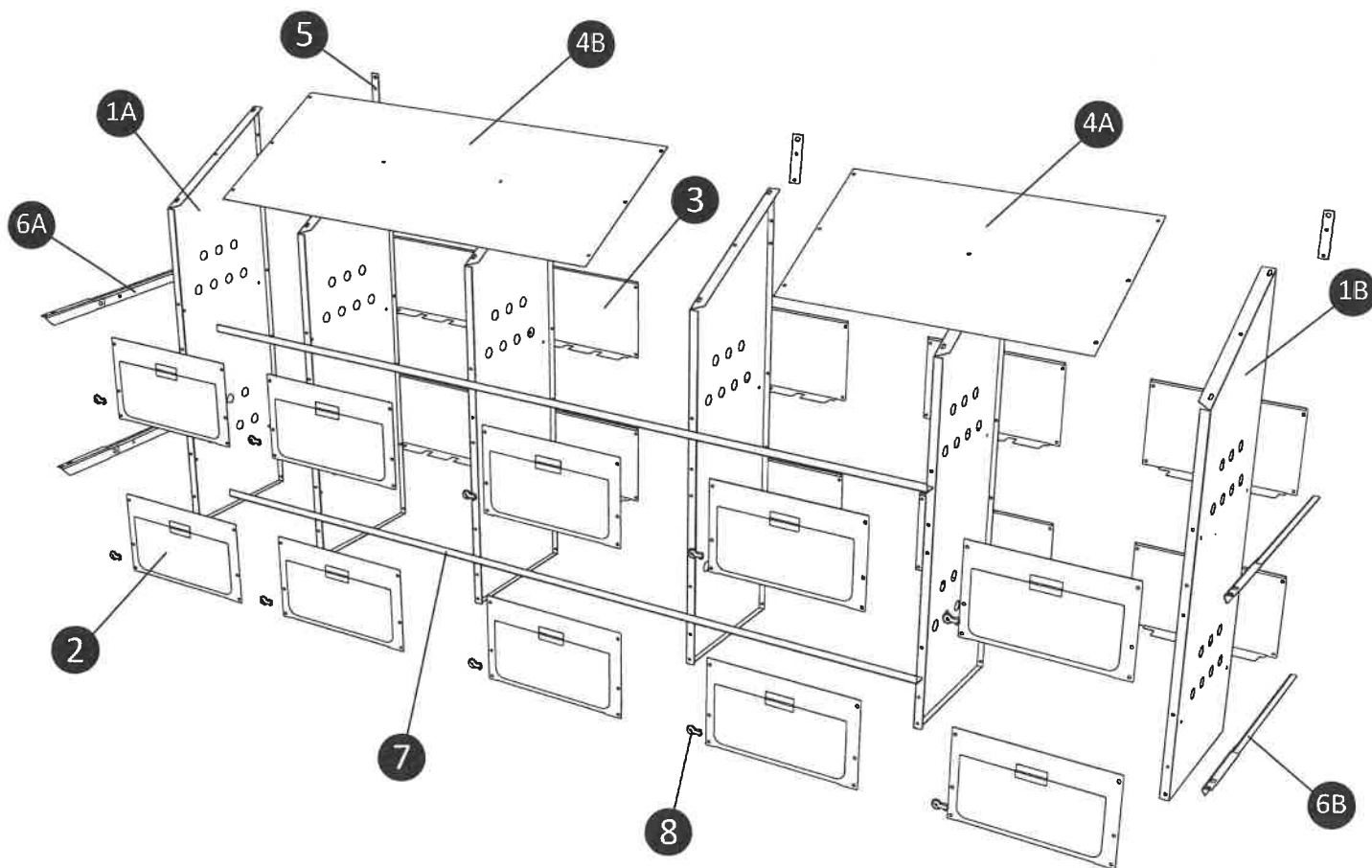
[www.strombergchickens.com](http://www.strombergchickens.com)

Phone: 1-800-720-1134

Email: [info@strombergchickens.com](mailto:info@strombergchickens.com)

501 1st St S Hackensack, MN 56452

Version 1- 2021

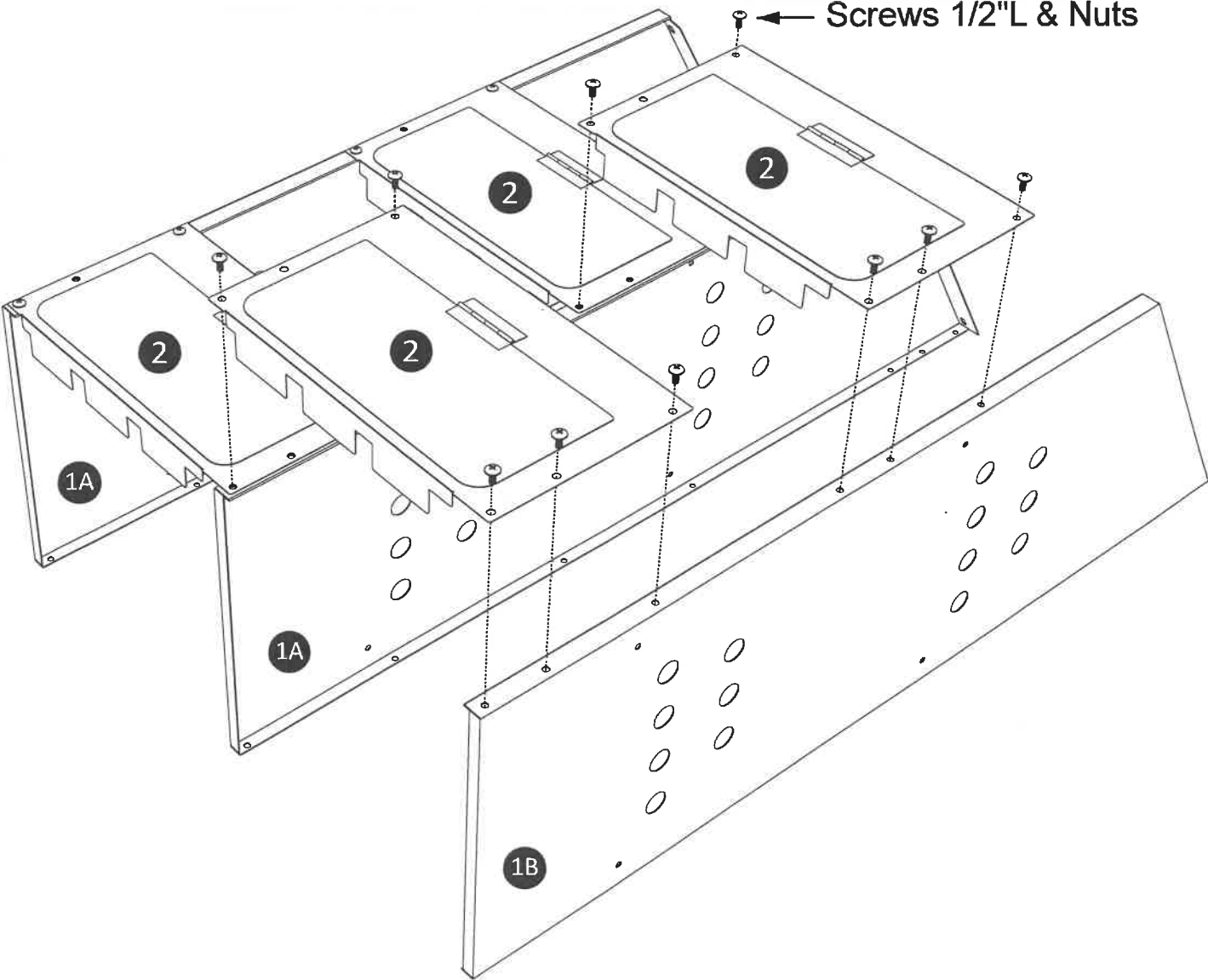
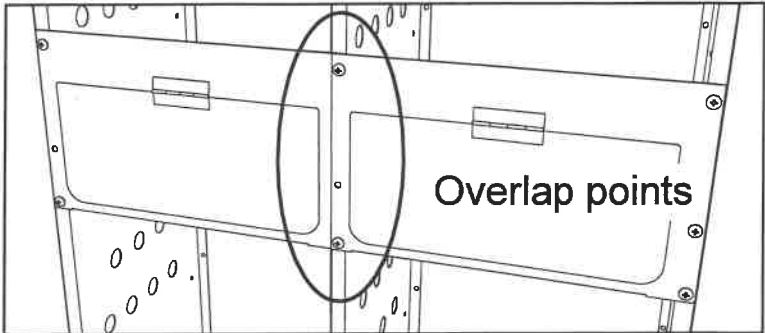


## Component list for 4/6/8/10 Nest Box

Component list	Ref. No.	PC-160	PC-161	PC-162	PC-163
Side panels- left	1A	2	3	4	5
Side panels- right	1B	1	1	1	1
Front panels	2	4	6	8	10
Back panels	3	4	6	8	10
Top L683.3mm	4A	1	N/A	2	1
Top L948.7mm	4B	N/A	1	N/A	1
Hanging brackets	5	2	2	3	3
Perch brackets- left	6A	2	2	2	2
Perch brackets- right	6B	2	2	2	2
Perch support bar	7	2	2	2	2
<b>Hardware pack</b>					
Screws 1/2"L		43	52	65	74
Screws 1-1/4"L (Perch support bar)		4	4	4	4
Nuts		47	56	69	78
Door lockers	8	4	6	8	10
Flat head screws 1/4"L		4	6	8	10
Nylock nuts		4	6	8	10
Instruction manual		1	1	1	1

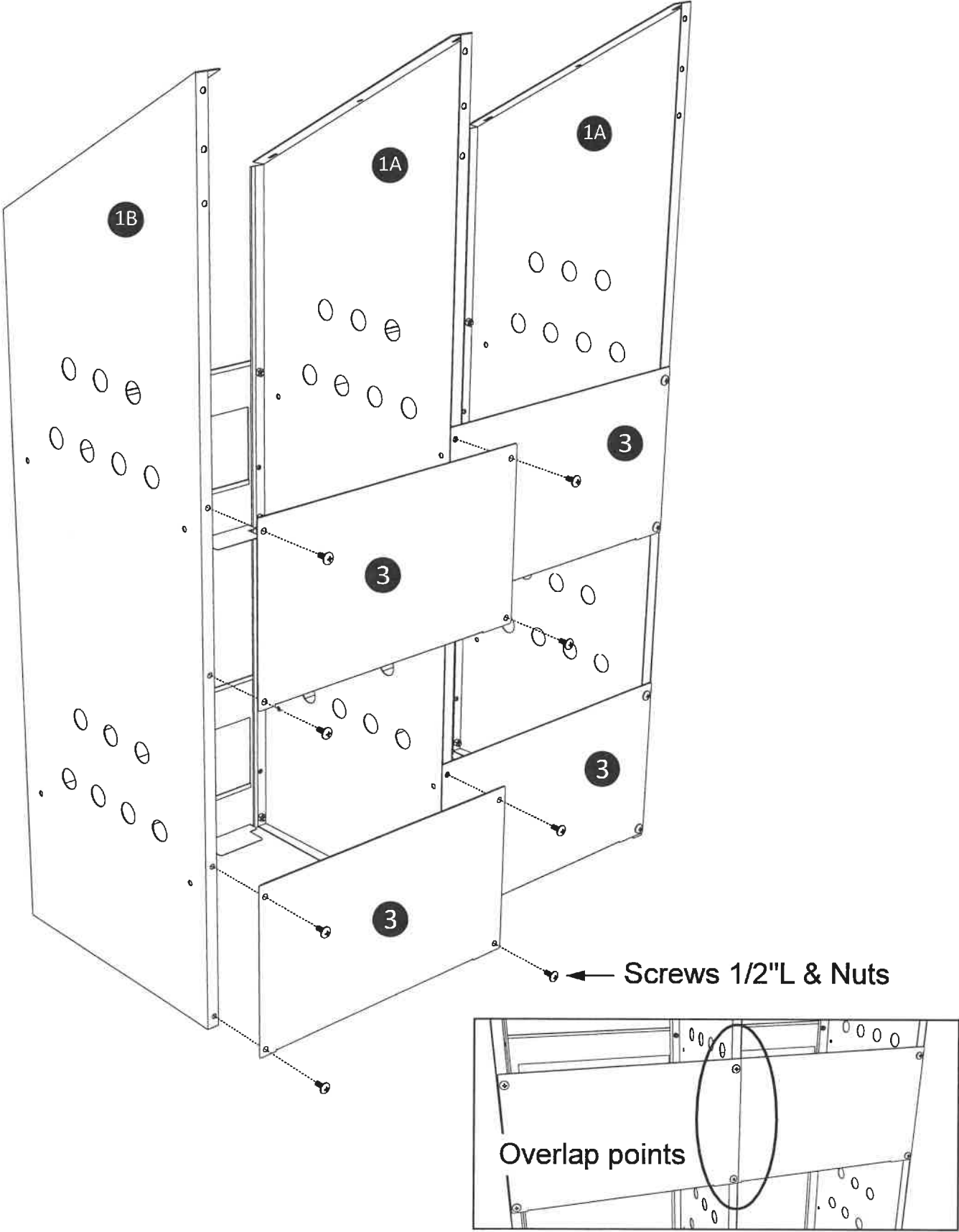
**STEP 1**

Set up front and side (Use screws 1/2"L & nuts)



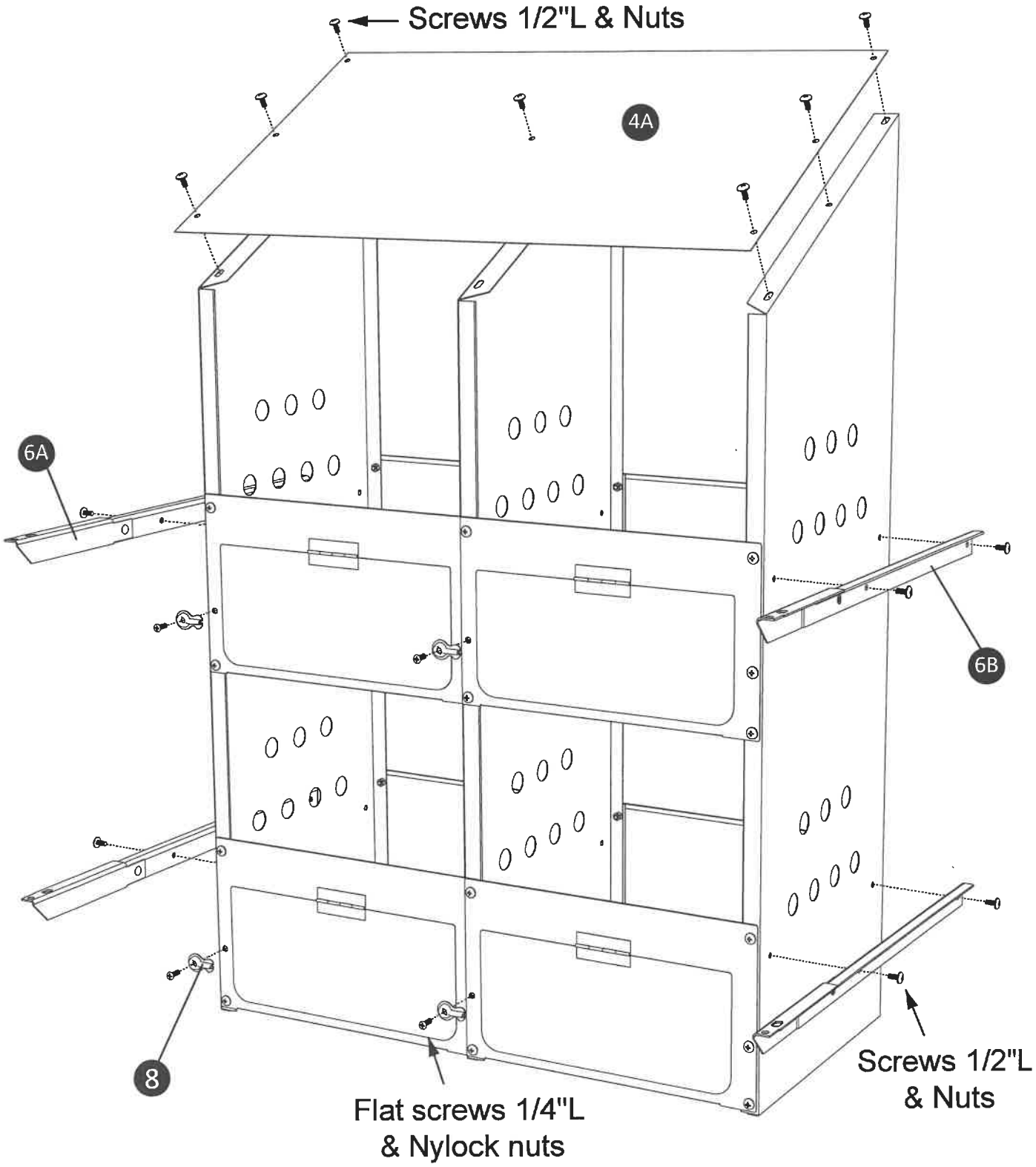
**STEP 2**

Set up back and side (Use screws 1/2"L & nuts)



**STEP 3**

Set up top and perch bracket (Use screws 1/2"L & nuts)



**STEP 4**

Set up hanging brackets (Use screws 1/2"L & nuts)  
and perch support bar (Use screws 1-1/4"L & nuts)

